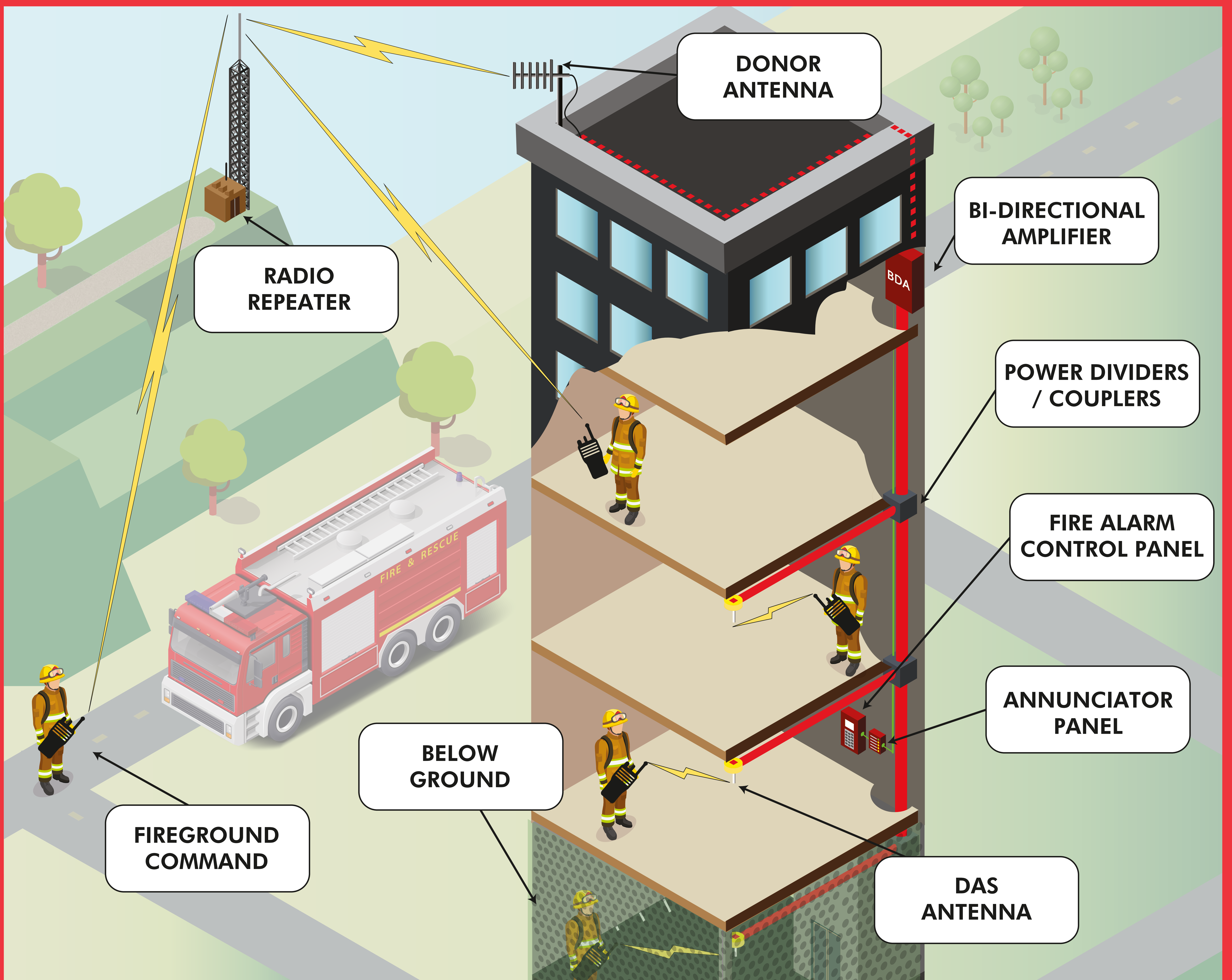
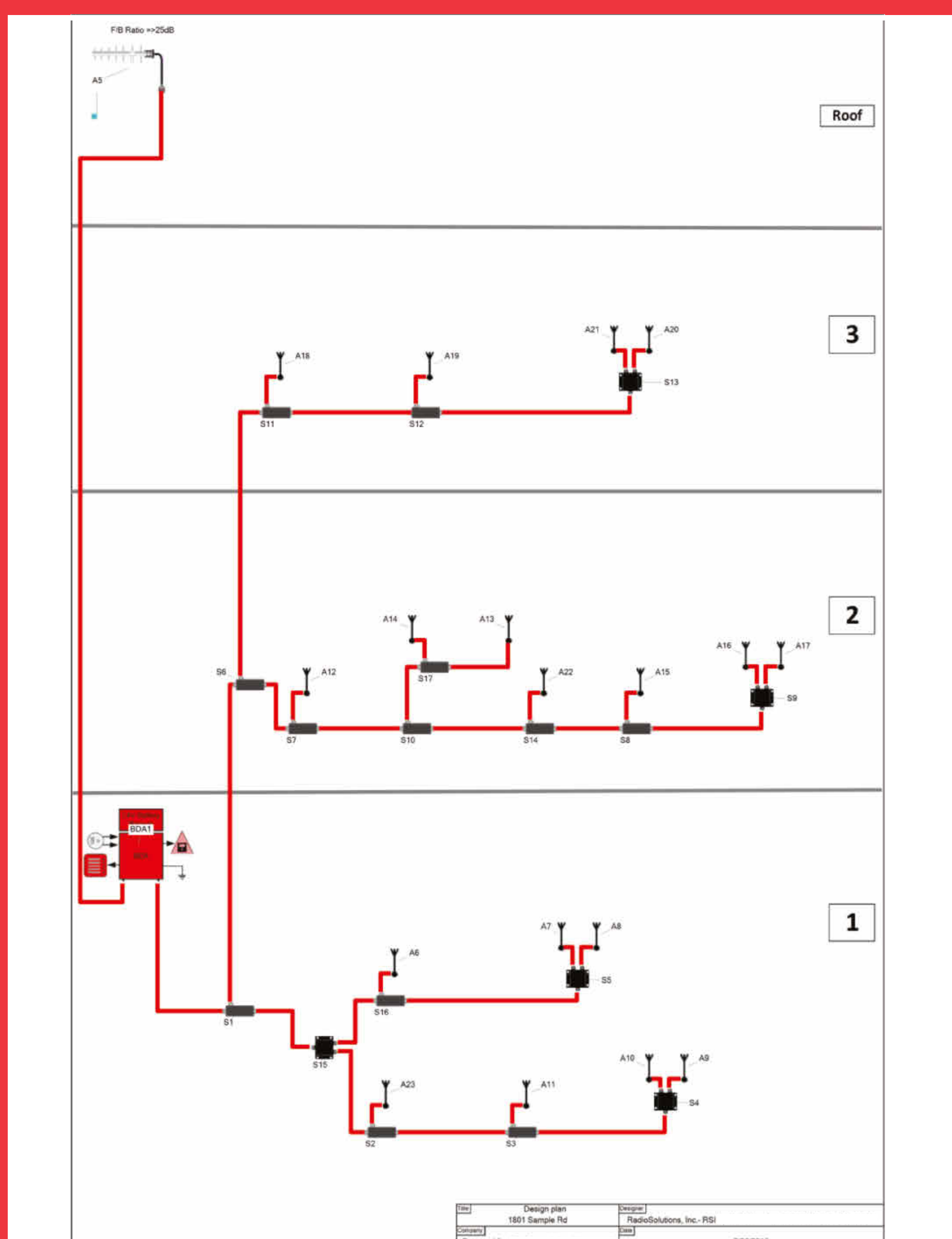


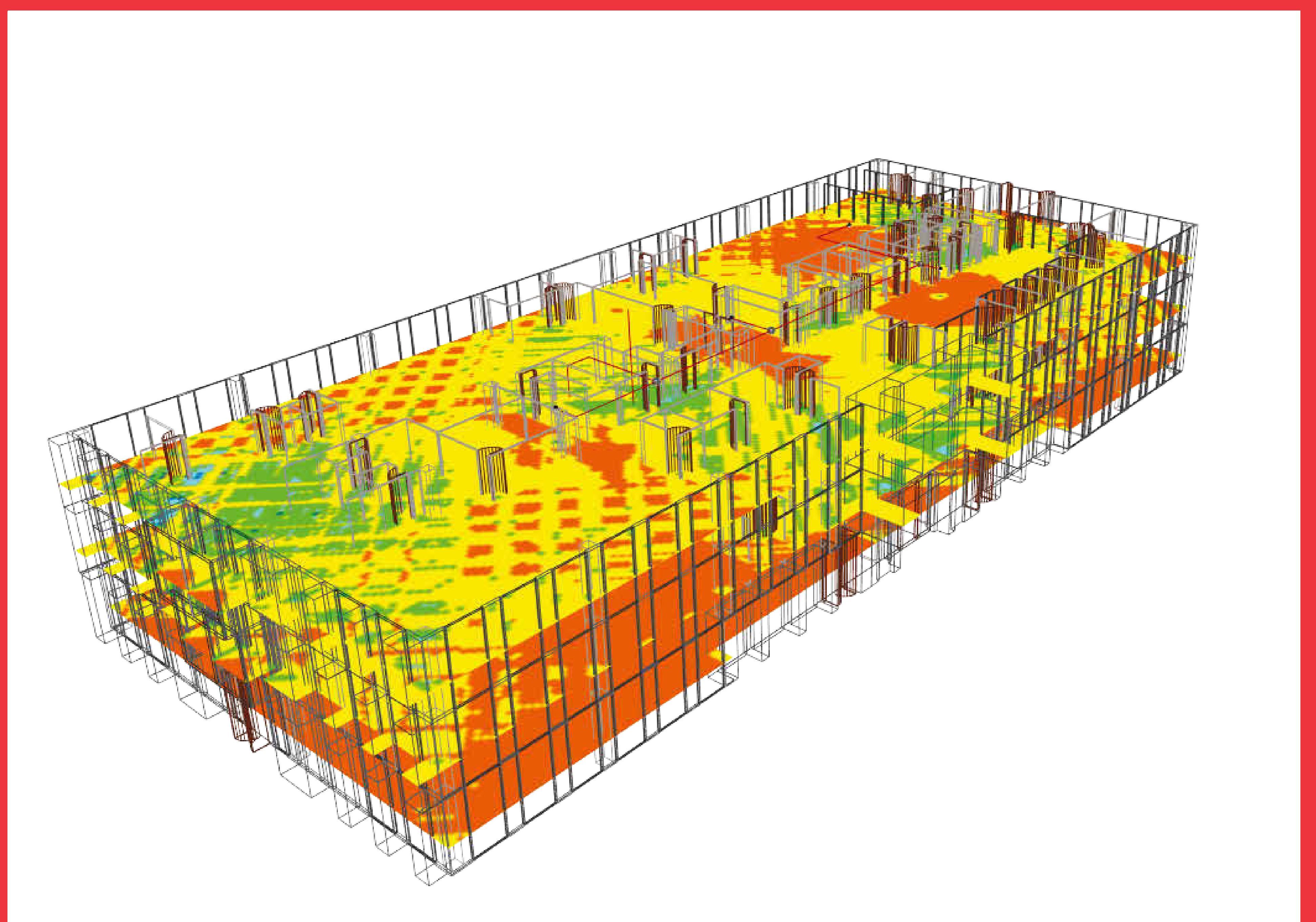
# The Turn-Key BDA Solution



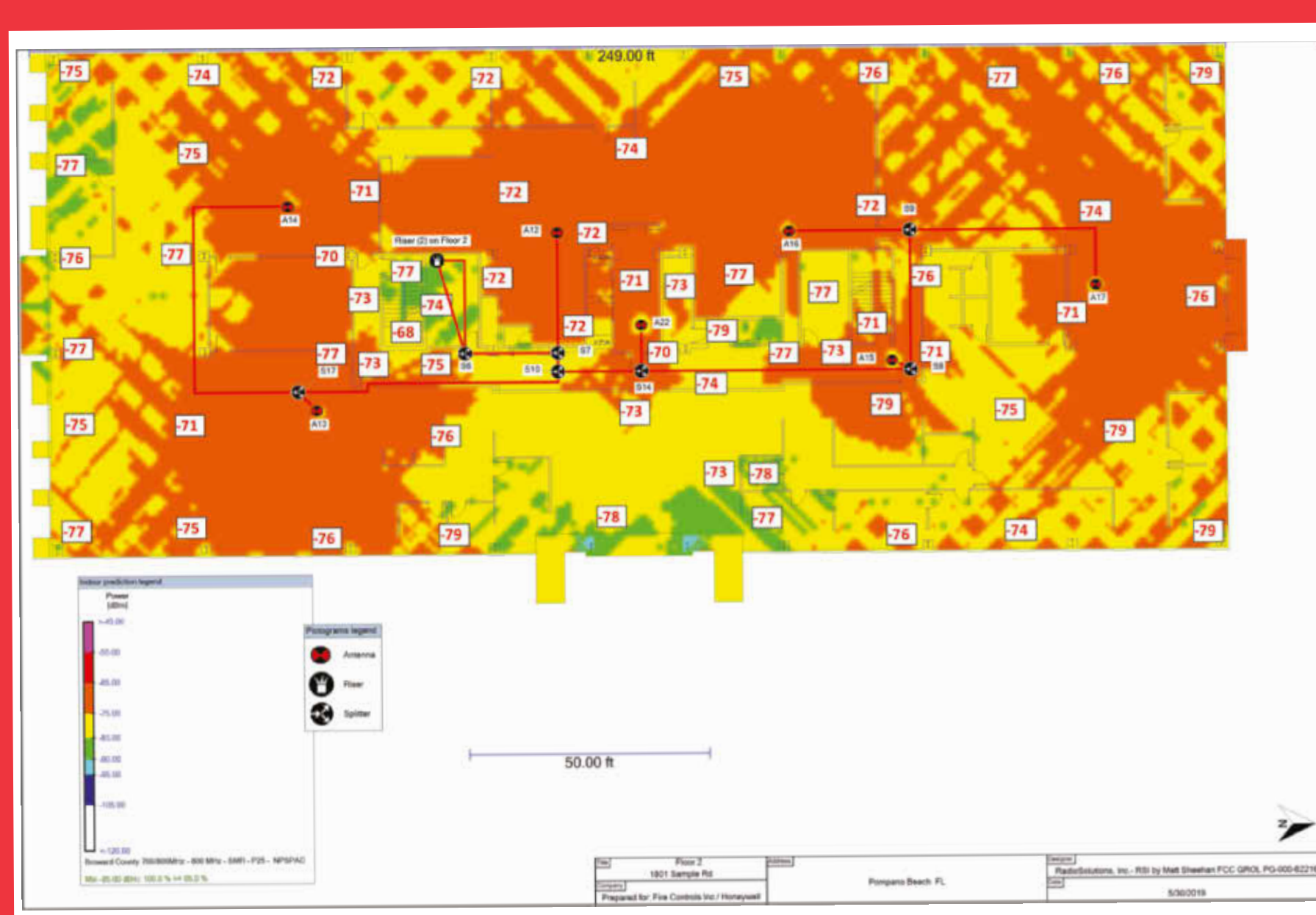
Typical BDA System



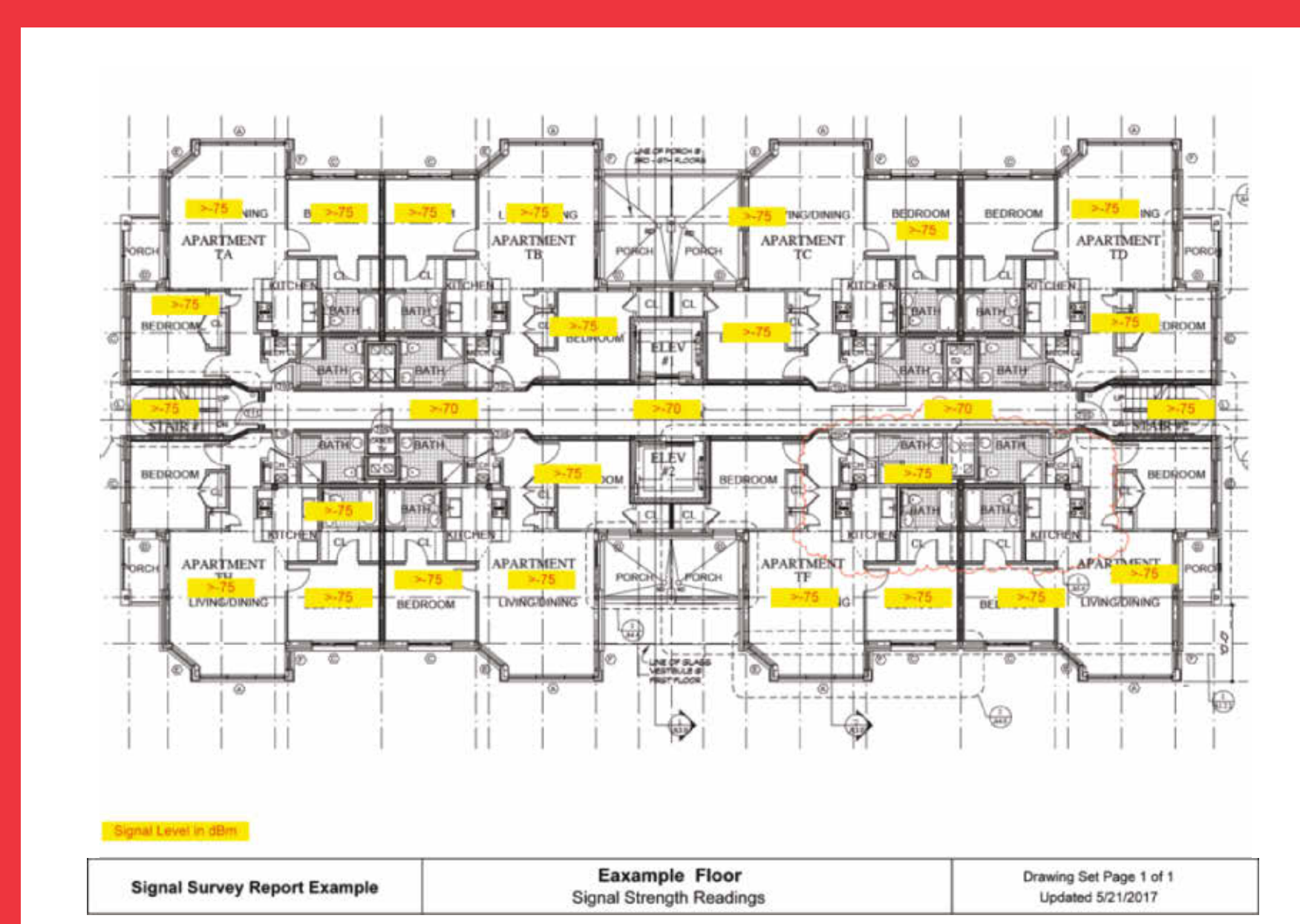
Typical BDA Riser Diagram



iBwave Building Heatmap



iBwave Floor Heatmap



Signal Survey Report



Bi-Directional Amplifier



Yagi Antenna



Annunciator Panel



**Benefits of RSI iBwave Design**

- Eliminate Project Cost Uncertainties
- Accurate Designs for new or existing buildings
- Detailed Pricing, Installation Costs
- Project Planning, Detailed List of Material
- Efficient Design, Reduced Project Costs
- Coverage Prediction Heat Maps
- Expedited Approval Process

**Take the Guesswork out of Preliminary Project Planning**

**Eliminate Change orders - Take the Guesswork out of BDA/ ERCES Project Planning.**

An approved BDA system begins with an accurate radio signal coverage prediction, which allows us to identify the equipment locations and cable layout **even before the building construction starts.**

The design and performance of a Bi-Directional Amplifier (BDA) system can make a critical difference for emergency responders and the people they are helping to protect. The system needs to provide near 100% in-building signal coverage for reliable in-building communication.

RSI system engineers utilize cutting-edge iBwave technology when addressing the design, deployment, and performance of a BDA system. We start with accurate 3D modeling of the structure, meticulously defining all building materials and signal obstructions. Radio Signal Propagation Prediction Module allows us to simulate and predict in-building signal coverage with a high degree of accuracy, which in turn **allows us to design the most economical and the most reliable DAS system.**

With our capability to estimate costs and resources, RSI can remove project uncertainty as well as **save your company time, labor, and material.**

Our engineered turn-key system solution, along with our UL 2524 Listed, industry-leading, and award-winning BDA makes certain you'll deliver the radio coverage results your customer and AHJ are expecting, the first time and every time.

**Examples of iBwave Design from RSI system engineers**

